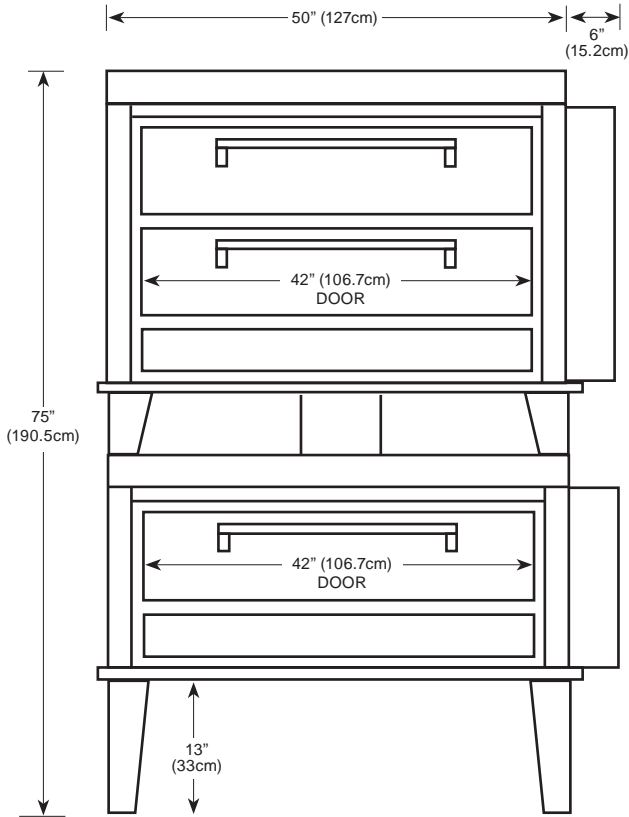


# MAXIMIZER

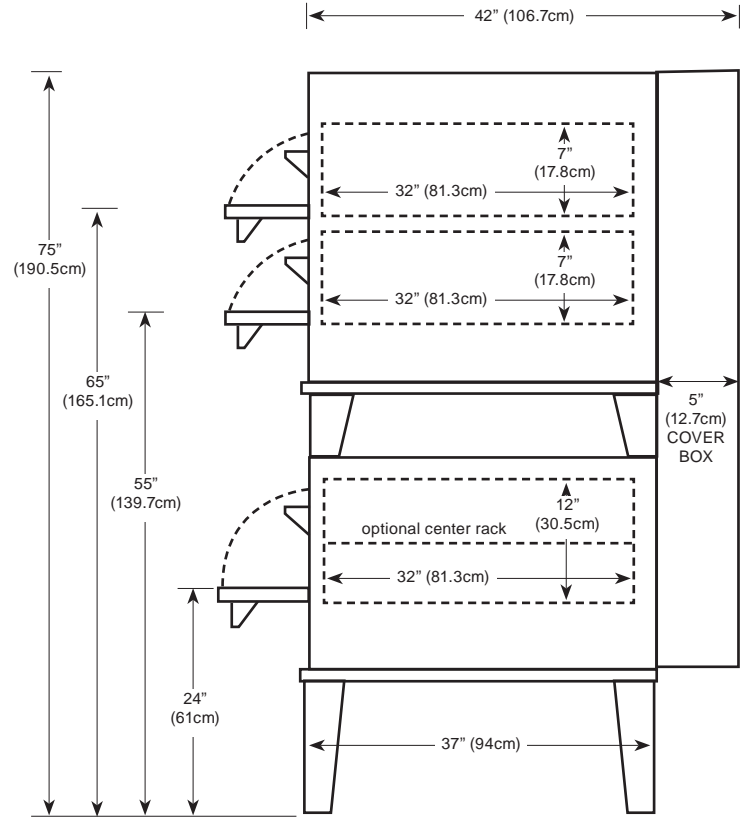
## Electric Bake & Roast Ovens

### MODEL CE51/CE61BESC

Electric Bake/Roast Ovens can be combined with electric Pizza Ovens to meet your specific needs. Contact Peerless for details.



**FRONT VIEW**  
**CE51/CE61BESC**



**SIDE VIEW**  
**CE51/CE61BESC**

Floor space . . . . .	56" (142.2cm) wide x 42" (106.7cm) deep* x 75" (190.5cm) high
Shelf size CE51BESC . . . . .	42" (106.7cm) wide x 32" (81.3cm) deep x 12" (30.5cm) high
Shelf size CE61BESC . . . . .	42" (106.7cm) wide x 32" (81.3cm) deep x 7" (17.8cm) high
Shipping weight . . . . .	1200 lbs (544.3kg)
Capacity CE51BESC . . . . .	Two 18"x26" bun pans per section
Capacity CE61BESC . . . . .	Four 18"x26" bun pans per section
Electric CE51BESC . . . . .	8 KW - 220V single phase, 50 AMPS Optional three phase, 30 AMPS
Electric CE61BESC . . . . .	8 KW - 220V single phase, 60 AMPS Optional three phase, 40 AMPS
Maximum opening required for installation: 31"	* Handle adds 2.5"(6.4cm) to depth

