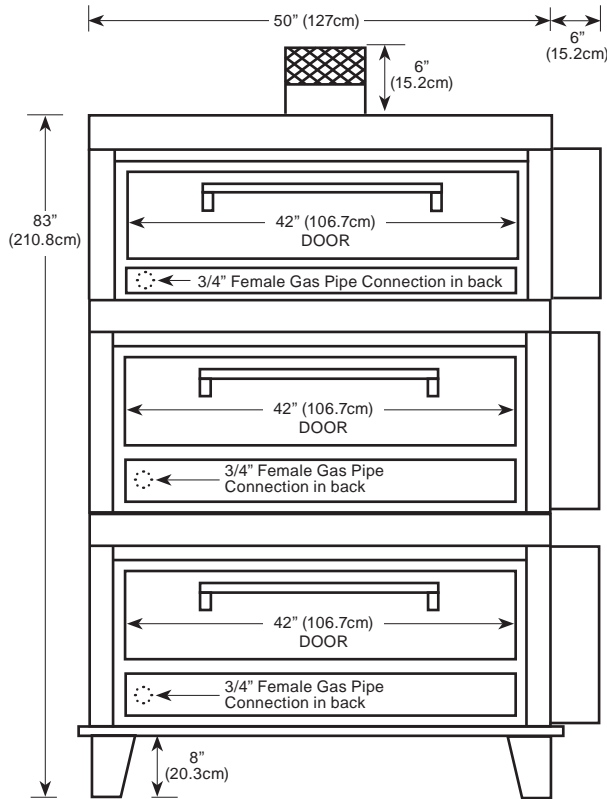


MAXIMIZER

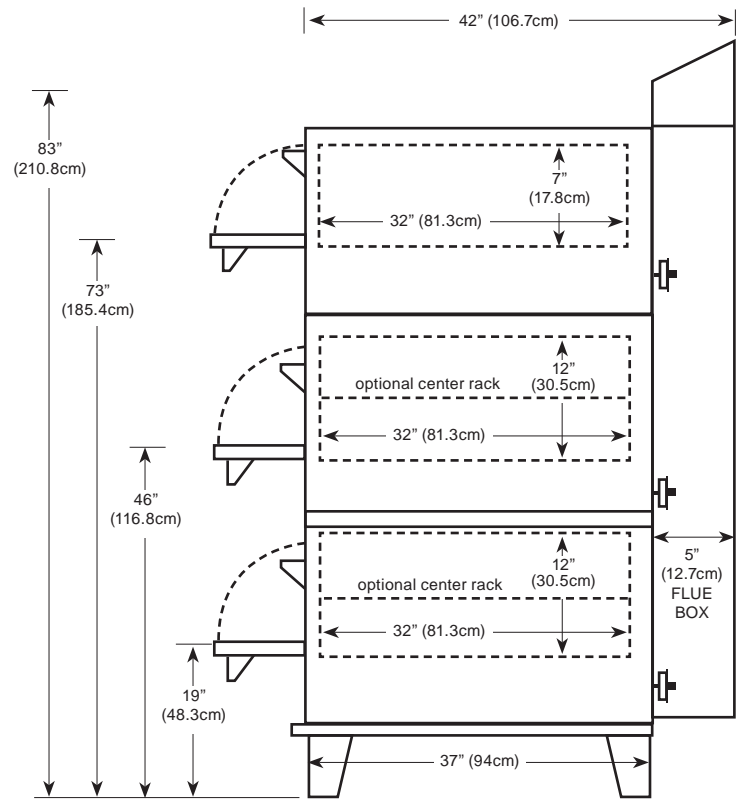
Gas Bake & Roast Ovens

MODEL CW52/CW41BSC

Gas Bake/Roast Ovens can be combined with gas Pizza Ovens to meet your specific needs. Contact Peerless for details.



FRONT VIEW
CW52/CW41BSC



SIDE VIEW
CW52/CW41BSC

| | |
|--|--|
| Floor space | 56" (142.2cm) wide x 42" (106.7cm) deep* x 83" (210.8cm) high |
| Shelf size CW52BSC | 42" (106.7cm) wide x 32" (81.3cm) deep x 12" (30.5cm) high |
| Shelf size CW41BSC | 42" (106.7cm) wide x 32" (81.3cm) deep x 7" (17.8cm) high |
| Shipping weight | 1625 lbs (737kg) |
| Capacity CW52BSC | Two 18"x26" bun pans per section |
| Capacity CW41BSC | Two 18"x26" bun pans per section |
| Gas | Maximum 60,000 BTU input each (3) |
| Maximum opening required for installation: 25" * Handle adds 2.5"(6.4cm) to depth | |

