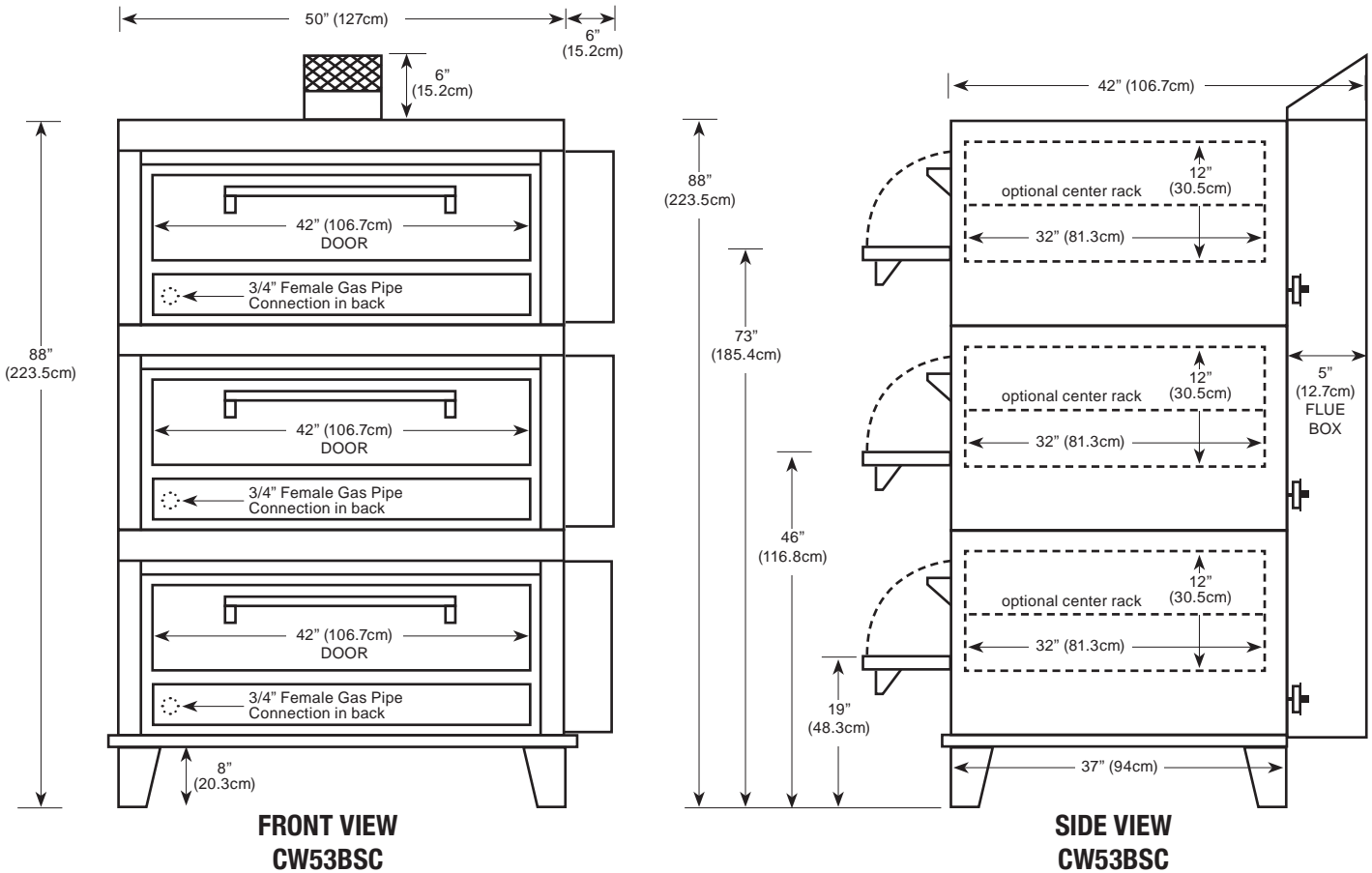


# MAXIMIZER

## Gas Bake & Roast Ovens

### MODEL CW53BSC

Gas Bake/Roast Ovens can be combined with gas Pizza Ovens to meet your specific needs. Contact Peerless for details.



<b>Floor space</b> . . . . .	<b>56" (142.2cm) wide x 42" (106.7cm) deep* x 88" (223.5cm) high</b>
<b>Shelf size</b> . . . . .	<b>42" (106.7cm) wide x 32" (81.3cm) deep x 12" (30.5cm) high</b>
<b>Shipping weight</b> . . . . .	<b>.1650 lbs (748.4kg)</b>
<b>Capacity</b> . . . . .	<b>Two 18"x26" bun pans per section</b>
<b>Gas</b> . . . . .	<b>Maximum 60,000 BTU input each (3)</b>
Maximum opening required for installation: 25" * Handle adds 2.5"(6.4cm) to depth	

