

# HEAVY DUTY COFFEE GRINDERS



MADE IN ITALY



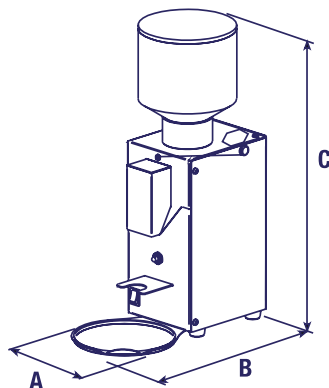
## M80A AUTOMATIC

- Heavy Duty
- Fully automatic
- Professional Use
- Coffee is ground into a dispenser doser chute
- Dispenser adjustable from 5 to 9 grams per dose
- Auto start and stop switch
- Flat millstones



## M80E ON DEMAND

- Heavy Duty
- Professional Use
- Coffee is ground directly into the filter-holder (doserless)
- Allows the setting of 3 doses, single or double
- Dispenser adjustable from 5 to 9 grams per dose
- Flat millstones



### SPECIFICATIONS

	M80A	M80E
Voltage	110V /60 Hz	
Power	300 W	
RPM	1400 - 1600	
Flat Millstone	Ø 63 mm	
Hopper	2.2 lbs	
Grinding	7.7 lbs/hr	
Doser	Yes	No
Timer	No	Yes
Product Dimensions	14" x 9" x 23"	
Net Weight	25 lbs	
Gross Weight	29 lbs	