

# MAXIMIZER

## Electric Pizza Ovens

MODEL CE62PESC



**AVAILABLE VENTLESS!**

WITH ADDITION OF VENTLESS HOOD (VL50)  
SEE PAGE 31 FOR DETAILS

### General Features:

- **Quality Construction**  
for long life
- **Stainless Steel Front Standard**
- **Large Capacity**  
5,376 sq. inches of available cooking space. Holds sixteen (16) 16" pizzas
- **Pizza Decks Standard**  
Large 42"x32"x7" compartment  
1" pizza stones
- **Unique Interior Design**  
Better distribution of heat
- **Energy Efficient**  
Energy-saving tubular elements coupled with our unique baffle system for even heat and better baking
- **Full Range Digital Thermostat**  
300°F - 650°F (149°C - 343°C)  
Precise temperature control
- **Solid State Relay**  
Silent operation
- **Space Saver**  
Only 56" wide
- **Easily Serviceable**  
All controls can be replaced from the side of the unit
- **Power**  
Electric  
Single phase standard  
Three phase optional
- **Top Heat Control**  
Balances oven heat

**NEW Feature!**

### 2-2-2 Warranty:

- Two year parts
- Two year labor
- Two year trouble free service



**ELECTRIC**

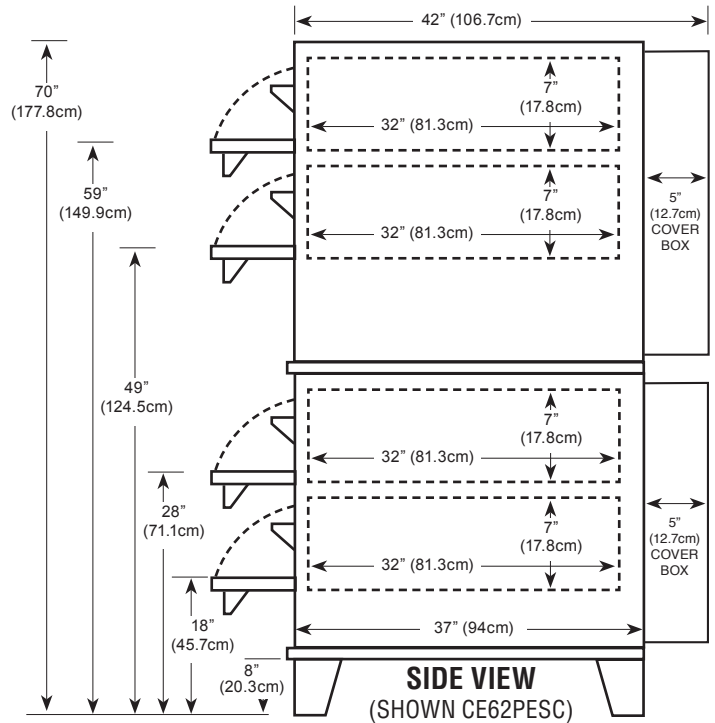
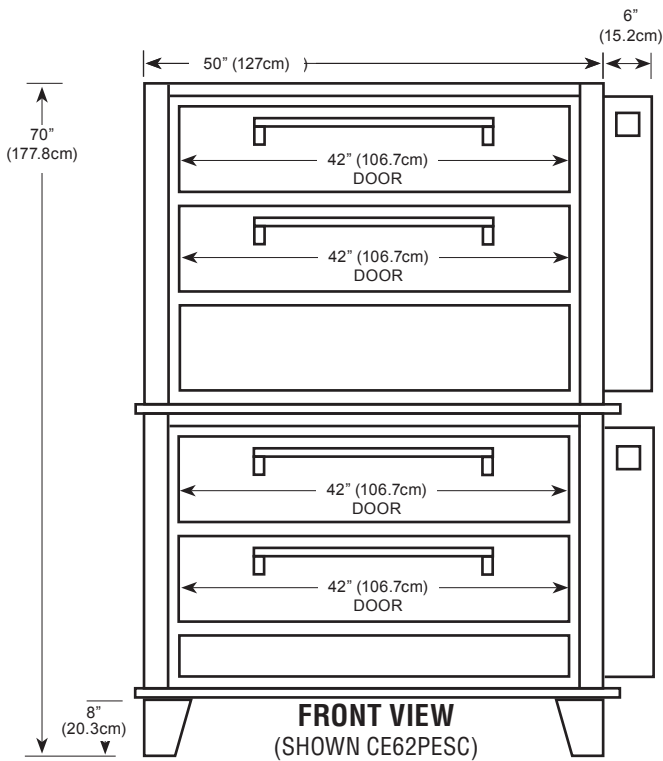


### MORE FOR LESS

- More Cooking Space per Floor Space
- More Cooking Capacity per Sales Dollar
- More Performance per Dollar



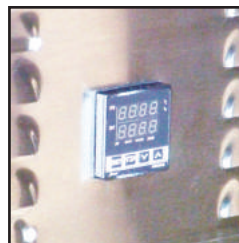
P.O. Box 859 • Sandusky, Ohio 44870 • (419) 625-4514 • FAX 625-4597



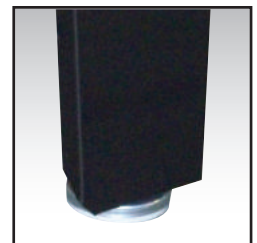
Floor space . . . . . 56" (142.24cm) wide x 42" (106.7cm) deep\* x 70" (177.8cm) high  
 Shelf size . . . . . 42" (106.7cm) wide x 32" (81.3cm) deep x 7" (17.8cm) high  
 Shipping weight . . . . . 1680 lbs (762kg)  
 Capacity for CE62PESC. .Twenty-four 12"(30.5cm) pizzas or sixteen 16"(40.7cm) pizzas  
 Electric. . . . . 24KW - 220V single phase, 120 AMPS  
 Optional three phase, 80 AMPS

Two electrical connections for this model  
 Opening required for installation: 32"

\* Handle adds 2.5"(6.4cm) to depth



Digital Electronic Controller



Adjustable Legs

### Durable Construction

The CE62PESC is built with *prime 20-gauge cold-rolled top and sides* with a 14-gauge base. The *interior is made of Armco Type 1, 20-gauge aluminized steel*. The CE62PESC comes standard with a stainless steel front made of high quality, 18-gauge stainless steel; the door interior is 18 gauge stainless as well.

### Energy Efficiency

The CE62PESC is equipped with twelve (12) *energy saving tubular elements* and with our unique baffle system, makes the oven highly efficient and eliminates hot spots. The *heavily insulated walls* coupled with a no vent system, reduces heat loss and keeps the area safe for workers. The CE62PESC is well powered by 24,000 (2) watts, which enables it to have an extremely fast recovery rate.

### Capacity

The CE62PESC deck size measures 42"x32"x7" (4) decks in two ovens. The top deck cooks almost as fast - and as well as the bottom, providing outstanding capacity for your money. Actual cooking capacity depends on the size of the pizza you are cooking. The CE62PESC will hold twenty-four (24) 12" pizzas, sixteen (16) 16" pizzas, or twelve (12) 18" pizzas. Cooking time will vary according to product, but will average between 8-10 minutes.

### Space Saver

The CE62PESC requires *less installation space* than our competition. This enables you to free up valuable kitchen and/or hood space. The actual width needed is mere 56" for 42"x32"x7" (4) decks, almost a foot less than the competition.

### Design Plus

The CE62PESC has digital *controls on the side for ease of operation and space savings*. This also places the controls in their own *air-conditioned area* so they are not affected by outside influences. In addition, the CE62PESC has a new feature: *adjustable top heat control to balance heat*.

### 2-2-2 Warranty

Two year part warranty, two year labor warranty and a two year trouble free service agreement makes the Peerless line of ovens even more desirable.

