

# BakeMax<sup>®</sup>

www.BakeMax.com

## BakeMax BMDD005 Divider Rounder Combo



The BakeMax BMDD005 Divider Rounder Combo is composed of one dough divider and one dough rounder completely automatic, to prepare round and perfectly closed dough portions of different weights with ease and saving time and labor. Easy to disassemble and to clean. This machine is manufactured according to sanitary and safety norms.

The divider can process up to 400 kg of dough per hour into 180 – 550-gram portions. The BMDBR3L rounder then processes each portion 50 times to ensure they come out round and perfectly closed, ready to rise, as if they were rounded manually.

### Features:

- Constructed of high-quality stainless steel and anodized aluminum
- Saves time and labor with its automaticity
- New sensor measuring technology for precision cutting
- The rounder processes each portion 50 times to ensure they come out round and perfectly closed, without causing any strain to the dough.
- Dough hopper holds up to 44 liters
- Dividing Range: 180 – 550g.
- Rounding Range: 70 to 1,200 grams
- Output: 70-400 kg per hour
- Limited 2-year warranty





Inside View of the Auger

\*\* Due to continuous product improvement, specifications are subject to change without notice.

**BakeMax<sup>®</sup> / Titan Ventures International Inc.**

### Warehouses:

270 Baig Blvd, Suite A3, Moncton, NB E1E 1C8   
1605 Crescent Circle, Dallas, TX 75006 

**Toll Free:** 1-800-565-BAKE (2253)

**Phone:** 506-858-8990

**Fax:** 506- 859-6929

**Email:** Sales@BakeMax.com

## BakeMax BMDD005 Divider Rounder Combo

### Technical Specifications BMDD005 (Combo):

- Exterior Dimensions (WDH) 28.5" x 34" x 63.5"
- Net Weight 474 lb.
- 115v / 13 Amps / 1120 W / 60Hz / 1Ph
- Plug and go 5-15P Plug

### Technical Specifications BMDBR3L Only:

- Exterior Dimensions (WDH) 34" x 34" x 45.3"
- Net Weight 163 lb.
- 115v / 7 Amps / 370 W / 60Hz / 1Ph
- Plug and go 5-15P Plug

### Shipping Specifications:

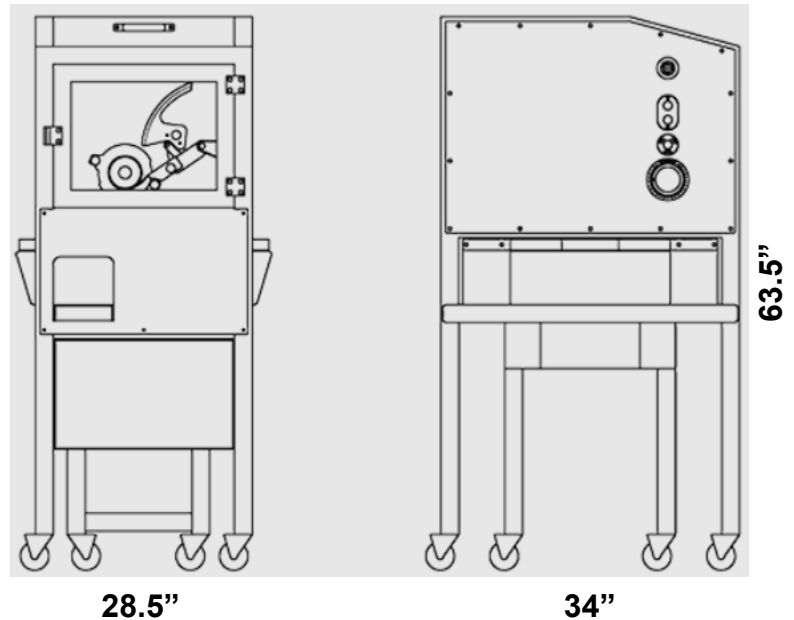
- Packaged Dimensions (WDH) 40" x 48" x 75"
- Packaged Weight 550 lb.



Controls: Emergency Stop, On / Off  
Speed Control and Dough Weight  
Control





BMDBR3L Dough Ball  
Rounder with Legs



BakeMax<sup>®</sup> / Titan Ventures International Inc.

### Warehouses:

270 Baig Blvd, Suite A3, Moncton, NB E1E 1C8   
1605 Crescent Circle, Dallas, TX 75006 

Toll Free: 1-800-565-BAKE (2253)

Phone: 506-858-8990

Fax: 506- 859-6929

Email: Sales@BakeMax.com