

## "DNB" WOOD TOP WORK TABLES

*w/Galvanized Base & Bracing - 1 3/4" Top w/4" Riser On Back & Sides*

### FEATURES:

- 1-3/4" Thick Northern Hard Rock Maple Top
- Top Is Finished With Penetrating Oil With Optional Natural Clear Varnique Finish
- Galvanized Steel Base And Bracing
- Bracing Adjustable To Desired Height
- Adjustable Bullet Feet
- Shipped Knocked-Down, Easy-To-Assemble

### SPECIFICATIONS:

- Top: Northern Hard Rock Maple
- Legs: 16GA Galvanized Steel
- Bracing: 1-14" Round O.D. 18GA Type 300 Tubular Galvanized Steel
- Gussets: Galvanized Steel
- Feet: 1" Adjustable Galvanized Steel

### CERTIFICATIONS:



### ACCESSORIES

#### DESCRIPTION

Drawer

Drawer Lock

Casters

Overshelves

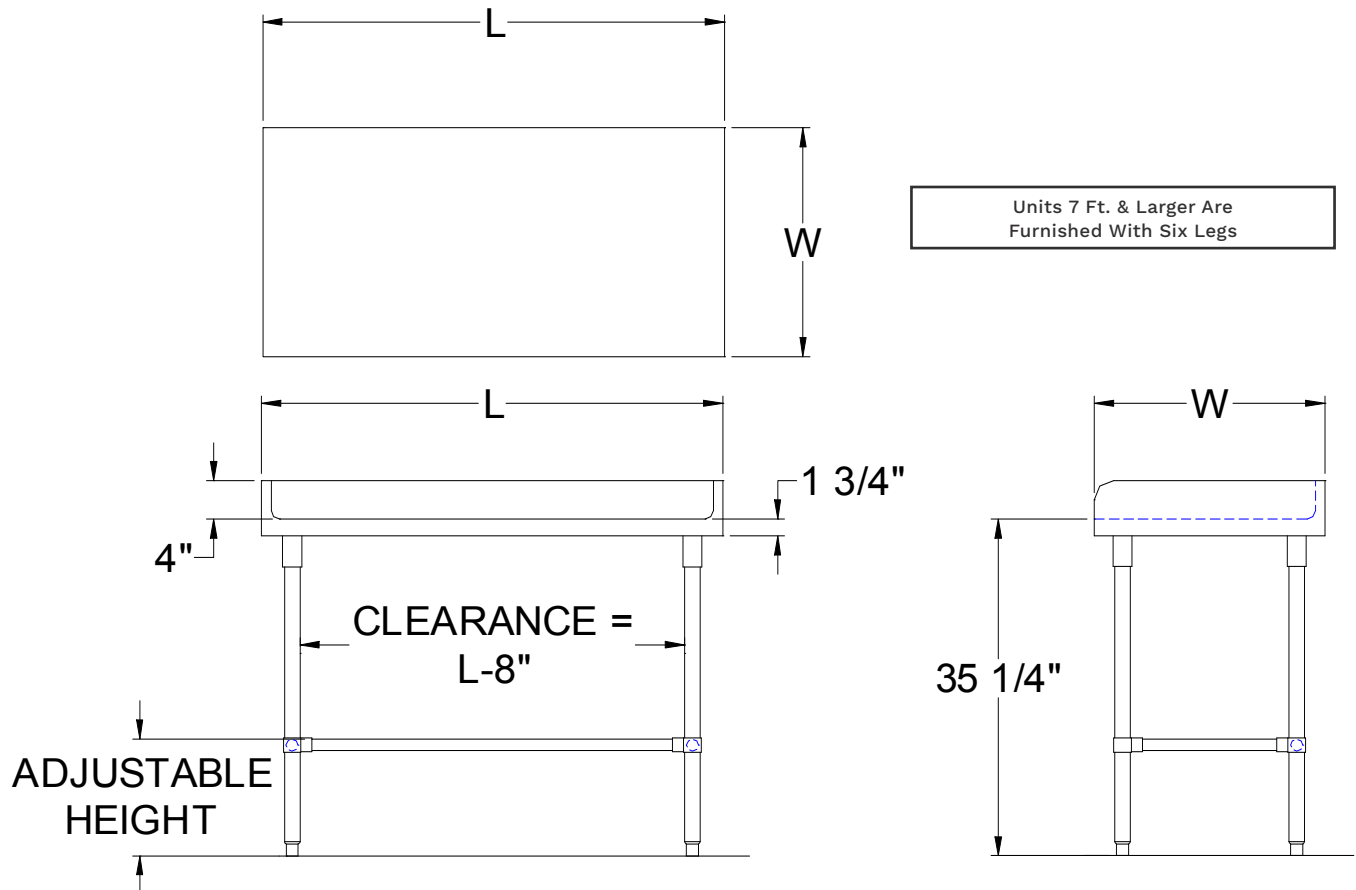
Pot Rack

### "DNB" WOOD TOP WORK TABLES

LENGTH	24" WIDE	WT (LBS)	30" WIDE	WT (LBS)	36" WIDE	WT (LBS)
48"	DNB01	113	DNB07	132	DNB13	151
60"	DNB02	132	DNB08	155	DNB14	179
72"	DNB03	151	DNB09	178	DNB15	204
84"	DNB04	169	DNB10	201	DNB16	231
96"	DNB05	189	DNB11	224	DNB17	257
108"	DNB05A	213	DNB11A	252	DNB17A	288
120"	DNB06	237	DNB12	279	DNB18	319

ALL DIMENSIONS ARE TYPICAL. TOLERANCE +/- .500". JOHN BOOS & CO. RESERVES THE RIGHT TO CHANGE SPECIFICATIONS WITHOUT NOTICE.

# DETAILED SPECIFICATIONS



## "DNB" WOOD TOP WORK TABLES

LENGTH	24" WIDE	WT (LBS)	30" WIDE	WT (LBS)	36" WIDE	WT (LBS)
48"	DNB01	113	DNB07	132	DNB13	151
60"	DNB02	132	DNB08	155	DNB14	179
72"	DNB03	151	DNB09	178	DNB15	204
84"	DNB04	169	DNB10	201	DNB16	231
96"	DNB05	189	DNB11	224	DNB17	257
108"	DNB05A	213	DNB11A	252	DNB17A	288
120"	DNB06	237	DNB12	279	DNB18	319

ALL DIMENSIONS ARE TYPICAL. TOLERANCE +/- .500". JOHN BOOS & CO. RESERVES THE RIGHT TO CHANGE SPECIFICATIONS WITHOUT NOTICE.