

# "FBLS" BUDGET STAINLESS STEEL TOP WORK TABLES

## *18GA Top w/Stainless Steel Legs & Adjustable Undershelf*

**FEATURES:**

- 18GA Stainless Steel Top
- Type 430 Stainless Steel With Satin Finish
- Top Is Sound Deadened
- Reinforced With 1"x2" Channel Running Entire Length Of Table
- 1-1/2" Stallion Edge On Front And Rear With Side Edges 90 Degree Bend Down For Table Line-Up
- Stainless Steel Base And Adjustable Undershelf
- Shipped Knocked-Down, Easy-To-Assemble

**SPECIFICATIONS:**

- Top: Stainless Steel Tops Are TIG Welded, Exposed Welds Are Polished To Match Adjacent Surface
- Top: 18GA Stainless Steel Type 430 Stainless Steel Mechanically Polished, Satin Finish
- Shelf: 18GA Stainless Steel
- Legs: 1-5/8" Round O.D. 16GA Tubular Stainless Steel
- Gussets: Stainless Steel
- Feet: 1" Adjustable Plastic Bullet Feet



FBLS4830

**CERTIFICATIONS:**

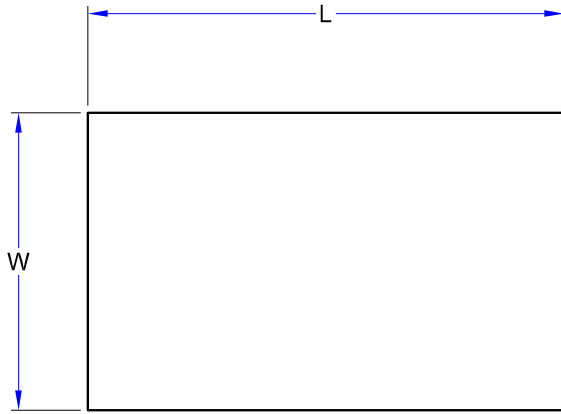


### "FBLS" BUDGET STAINLESS STEEL TOP WORK TABLES

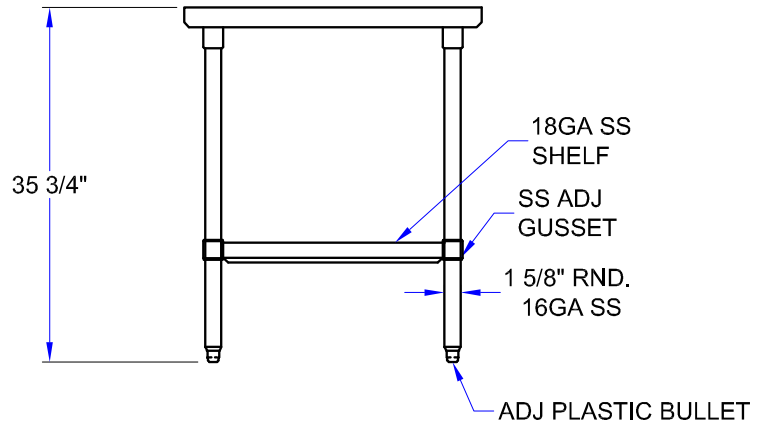
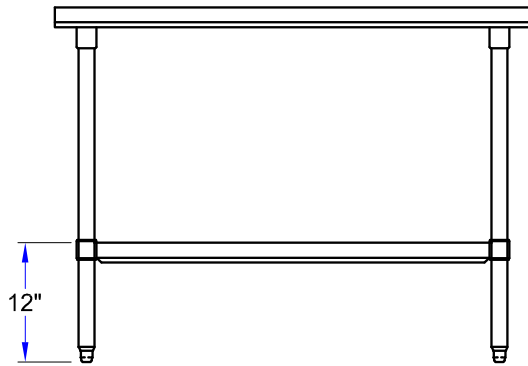
LENGTH	18" WIDE	WT (LBS)	24" WIDE	WT (LBS)	30" WIDE	WT (LBS)
24"	<b>FBLS2418</b>	35	<b>FBLS2424</b>	40	-	-
30"	<b>FBLS3018</b>	38	<b>FBLS3024</b>	45	<b>FBLS3030</b>	50
36"	<b>FBLS3618</b>	41	<b>FBLS3624</b>	50	<b>FBLS3630</b>	56
48"	<b>FBLS4818</b>	44	<b>FBLS4824</b>	61	<b>FBLS4830</b>	70
60"	<b>FBLS6018</b>	47	<b>FBLS6024</b>	71	<b>FBLS6030</b>	83
72"	<b>FBLS7218</b>	50	<b>FBLS7224</b>	83	<b>FBLS7230</b>	95
96"	<b>FBLS9618</b>	56	<b>FBLS9624</b>	111	<b>FBLS9630</b>	128

ALL DIMENSIONS ARE TYPICAL. TOLERANCE +/- .500". JOHN BOOS & CO. RESERVES THE RIGHT TO CHANGE SPECIFICATIONS WITHOUT NOTICE.

# DETAILED SPECIFICATIONS



Units 7 Ft. & Larger Are  
Furnished With Six Legs  
Shelf Length = Length Minus 4.875"  
Shelf Width = Width Minus 4.25"



## "FBLs" BUDGET STAINLESS STEEL TOP WORK TABLES

LENGTH	18" WIDE	WT (LBS)	24" WIDE	WT (LBS)	30" WIDE	WT (LBS)
24"	<b>FBLs2418</b>	35	<b>FBLs2424</b>	40	-	-
30"	<b>FBLs3018</b>	38	<b>FBLs3024</b>	45	<b>FBLs3030</b>	50
36"	<b>FBLs3618</b>	41	<b>FBLs3624</b>	50	<b>FBLs3630</b>	56
48"	<b>FBLs4818</b>	44	<b>FBLs4824</b>	61	<b>FBLs4830</b>	70
60"	<b>FBLs6018</b>	47	<b>FBLs6024</b>	71	<b>FBLs6030</b>	83
72"	<b>FBLs7218</b>	50	<b>FBLs7224</b>	83	<b>FBLs7230</b>	95
96"	<b>FBLs9618</b>	56	<b>FBLs9624</b>	111	<b>FBLs9630</b>	128

ALL DIMENSIONS ARE TYPICAL. TOLERANCE +/- .500". JOHN BOOS & CO. RESERVES THE RIGHT TO CHANGE SPECIFICATIONS WITHOUT NOTICE.