

"UFBLG" BUDGET STAINLESS STEEL TOP WORK TABLES

18GA Top w/Galvanized Legs & Adjustable Undershef - 1½" Riser

FEATURES:

- 18GA Stainless Steel Top w/1-1/2" Rear Riser
- Type 430 Stainless Steel With Satin Finish
- Top Is Sound Deadened
- Reinforced With 1"x2" Channel Running Entire Length Of Table
- 1-1/2" Stallion Edge On Front And Rear With Side Edges 90 Degree Bend Down For Table Line-Up
- Galvanized Base And Adjustable Undershef
- Shipped Knocked-Down, Easy-To-Assemble

SPECIFICATIONS:

- Top: Stainless Steel Tops Are TIG Welded, Exposed Welds Are Polished To Match Adjacent Surface
- Top: 18GA Stainless Steel Type 430 Stainless Steel With Satin Finish
- Shelf: 18GA Galvanized Steel
- Legs: 1-5/8" Round O.D. 16GA Tubular Galvanized Steel
- Gussets: Galvanized Steel
- Feet: 1" Adjustable Plastic Bullet Feet

CERTIFICATIONS:



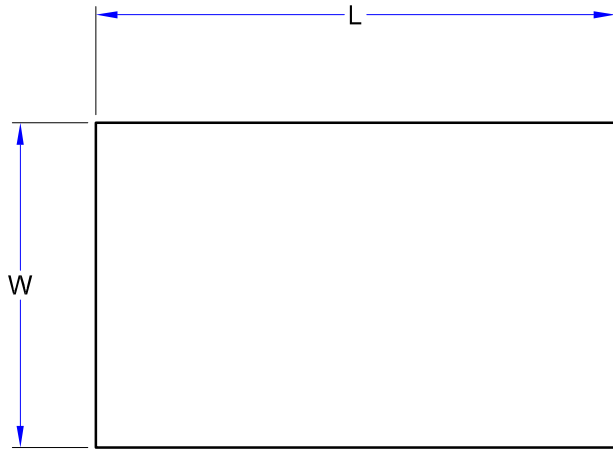
UFBLG4830

"UFBLG" BUDGET STAINLESS STEEL TOP WORK TABLES

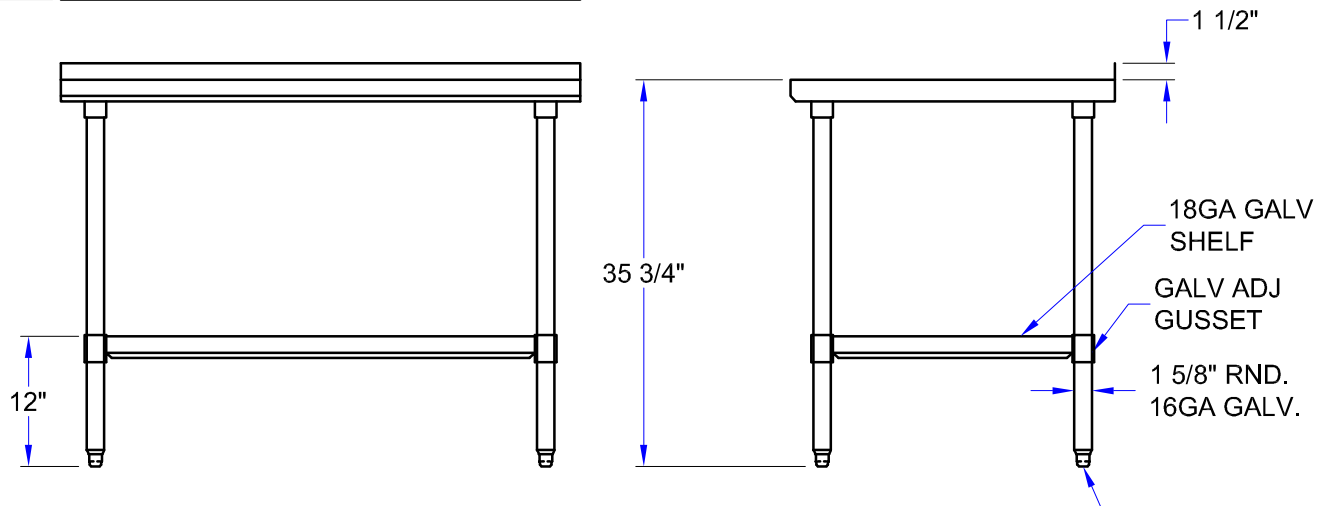
LENGTH	18" WIDE	WT (LBS)	24" WIDE	WT (LBS)	30" WIDE	WT (LBS)
24"	-	-	UFBLG2424	41	-	-
30"	-	-	UFBLG3024	46	UFBLG3030	63
36"	UFBLG3618	48	UFBLG3624	50	UFBLG3630	56
48"	UFBLG4818	54	UFBLG4824	60	UFBLG4830	63
60"	UFBLG6018	61	UFBLG6024	71	UFBLG6030	82
72"	UFBLG7218	77	UFBLG7224	80	UFBLG7230	96
84"	-	-	UFBLG8424	99	UFBLG8430	116
96"	UFBLG9618	94	UFBLG9624	110	UFBLG9630	129

ALL DIMENSIONS ARE TYPICAL. TOLERANCE +/- .500". JOHN BOOS & CO. RESERVES THE RIGHT TO CHANGE SPECIFICATIONS WITHOUT NOTICE.

DETAILED SPECIFICATIONS



Units 7 Ft. & Larger Are
Furnished With Six Legs
Shelf Length = Length Minus 4.875"
Shelf Width = Width Minus 4.25"



"UFBLG" BUDGET STAINLESS STEEL TOP WORK TABLES

LENGTH	18" WIDE	WT (LBS)	24" WIDE	WT (LBS)	30" WIDE	WT (LBS)
24"	-	-	UFBLG2424	41	-	-
30"	-	-	UFBLG3024	46	UFBLG3030	63
36"	UFBLG3618	48	UFBLG3624	50	UFBLG3630	56
48"	UFBLG4818	54	UFBLG4824	60	UFBLG4830	63
60"	UFBLG6018	61	UFBLG6024	71	UFBLG6030	82
72"	UFBLG7218	77	UFBLG7224	80	UFBLG7230	96
84"	-	-	UFBLG8424	99	UFBLG8430	116
96"	UFBLG9618	94	UFBLG9624	110	UFBLG9630	129

ALL DIMENSIONS ARE TYPICAL. TOLERANCE +/- .500". JOHN BOOS & CO. RESERVES THE RIGHT TO CHANGE SPECIFICATIONS WITHOUT NOTICE.